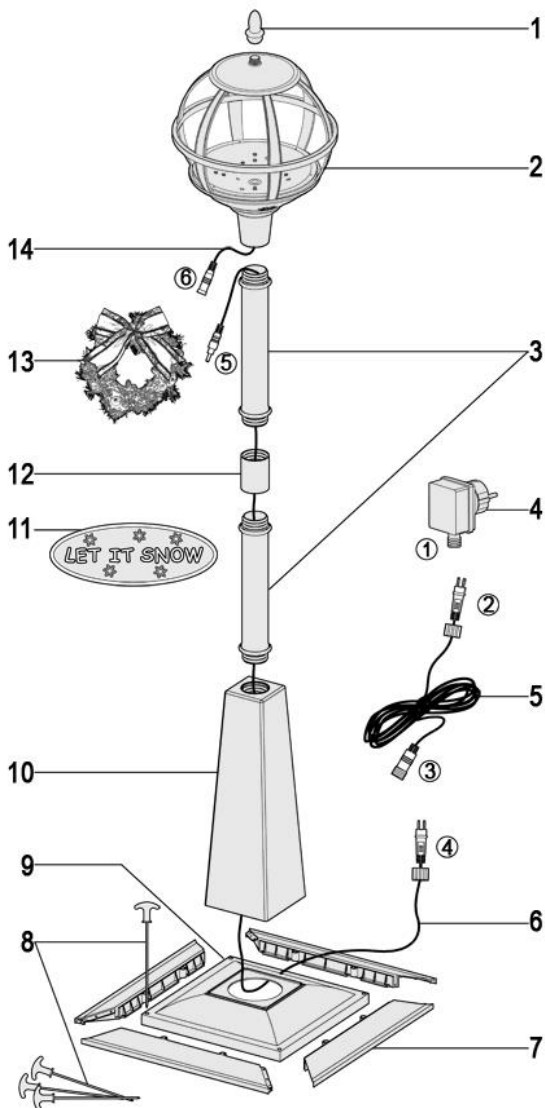


Caution

- This product (especially the lamp holder) is fragile, do not exert too much strength or drop it during the assembly and use. Be sure to fix it on the wall securely.
- Please assemble it in strict accordance with the steps and requirements specified in the instruction to ensure safety and reliability during the installation.

5	Extended wire (137in)	1
6	Power wire (137in) (inside lamp post: 59in, outside: 78in)	1
7	Additional base	1 set (4)
8	Ground nail	4
9	Lamp base	1
10	Square base	1
11	Brand	1
12	Lamp post joint	1
13	Wreath+ bowknot	1 set
14	Power wire of lamp holder	1
15	Screw	4+1
Note: 1,2,3,4,5,6 are all wire joints.		

1) Schematic diagram



2) Component list

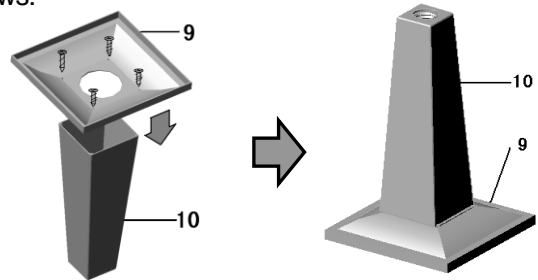
No.	Name	Number
1	Lamp top	1
2	Lamp holder	1
3	Lamp post (17in)	2
4	Adapter (12V AC 500mA)	1

3) Assembling steps

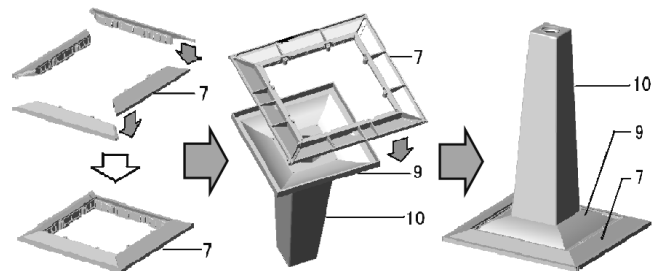
Please assemble the product from the bottom to the up, following the main steps below:

1. Install lamp base

A. Assemble lamp base (9) and square base (10) with 4 screws:



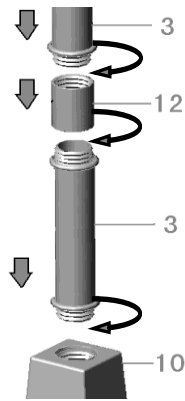
B. Assemble 4 pieces of additional base (7) into a whole, and then assemble the whole additional base (7) with the lamp base (9).



Note: The additional base (7) is designed to fasten the street lamp more securely. If the street lamp is installed on a flat ground and there is no external force (such as high wind or man-made interference), or if the street lamp is used outdoors and it can be fixed on the ground by fastening ground nails; there is no need to install additional base (7). In other words, users can decide whether to install the additional base (7) according to the actual condition.

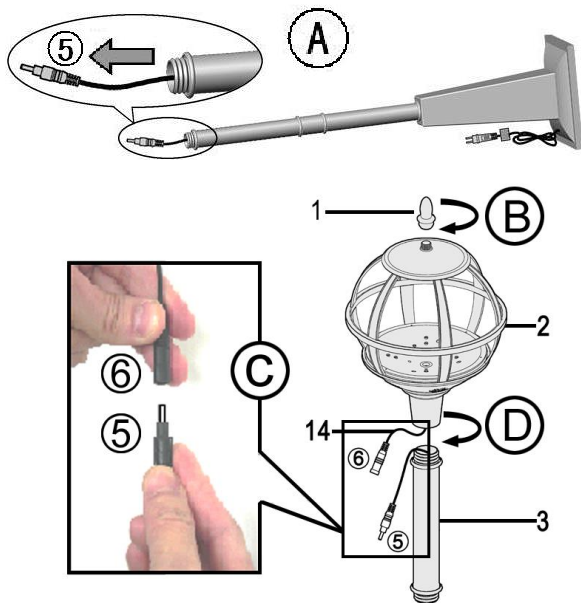
2. Install lamp post

Screw the two lamp posts (3), lamp post joints (12) and square lamp base (10) together according to the sequence shown in the figure below. **Note:** Every screw thread must be tightened; otherwise, the lamp posts may lean or get loose.



3. Install lamp holder

A. Thread the power wire (6) and its joint (5) through the lamp base and lamp post (the lamp base and lamp post can be laid down or put upside down for convenience. After drawing out the joint (5), place it correctly for later use;

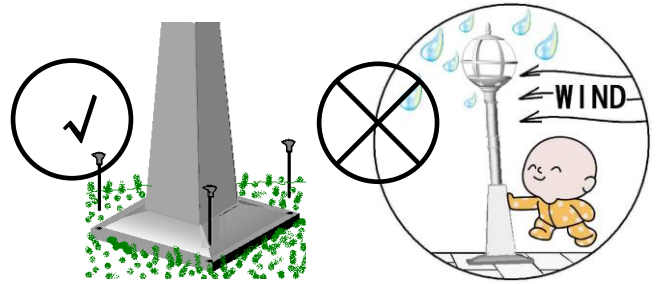


B. Take out the lamp holder (2) and put on the lamp top (1);
C. Draw out the joint (6) and the power line (14), connect the joints (5) and (6), put the combined joints and their wires into lamp post (3). **Note:** At this time, it will be better to ask another person to hold the lamp holder (2) in case of dropping it.

D. Rotate the lamp holder (2) to fasten it on the lamp post (3). **Note:** The screw thread shall be tightened as far as possible. Meanwhile the direction of the lamp holder (2) shall be slightly adjusted to make it match the direction of the lamp bases (9) and (10).

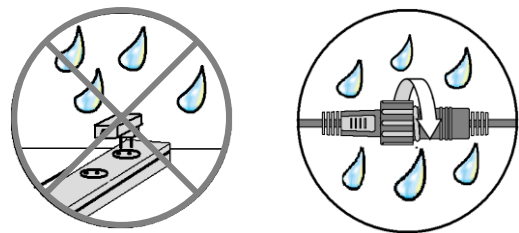
4. Positioning, power-on and examination

A. Positioning: Place carefully the assembled street lamp at the set position. **Note:** (1) If the street lamp will be outdoors, place the lamp base into the ground with nails in case of high winds; (2) The street lamp should be placed at a location without man-made interference in case of damages. (3) If the street lamp is to be installed indoors and can be influenced by man-made interference or is to be installed outdoors and ground nails can not be used, please be sure to use additional base (7) to keep it secure.



B. Power on: Tightly connect the two joints 1 and 4 of the adaptor (4) and power wire (6). If the power wire isn't long enough, it is able to add the extended wire (5) between them, and then connect the adaptor (4) with the main power source.

C. Make sure that the connection point between the adaptor and the main power source is indoors or at a place free of rain or snow in case of electric leakage or electric shock. All joints of 1, 2, 3 and 4, 5 and 6 must be tightened.



D. Examination: When setting the switch on the bottom of the lamp holder (2) (see the figure below) to the left side, the lamp should be lit, snowflake falling and music playing. If it fails to perform such functions, check if the joints 1, 2, 3, 4, 5 and 6 are well connected. You can also turn the switch to the right side to close the music.

5. Decorate and enjoy

As shown in the figure below, arrange the plaque (11) and the wreath + bowknot (13) to the upper side of the lamp post.

